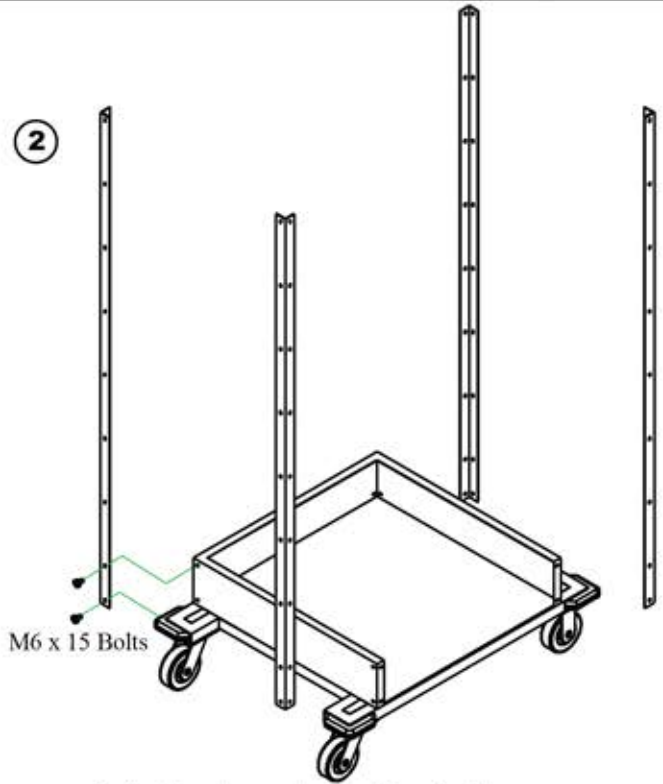
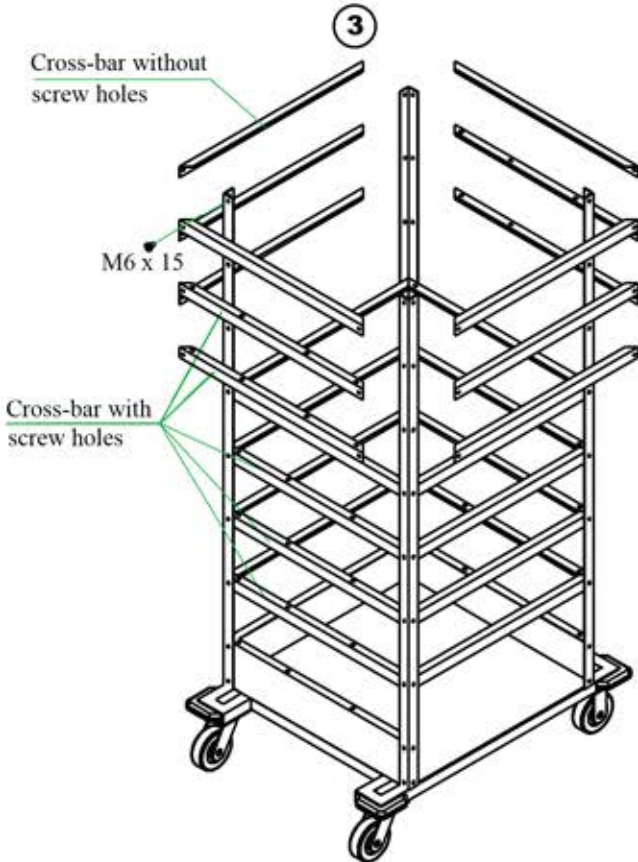


1. Attach 4 Wheels to the bottom of the Storage Tray using the M10 bolts making sure the wheel plates are facing in the correct direction  
NOTE: There are two locking wheels and two standard wheels. Attach both locking wheels at one end, not diagonally across from each other

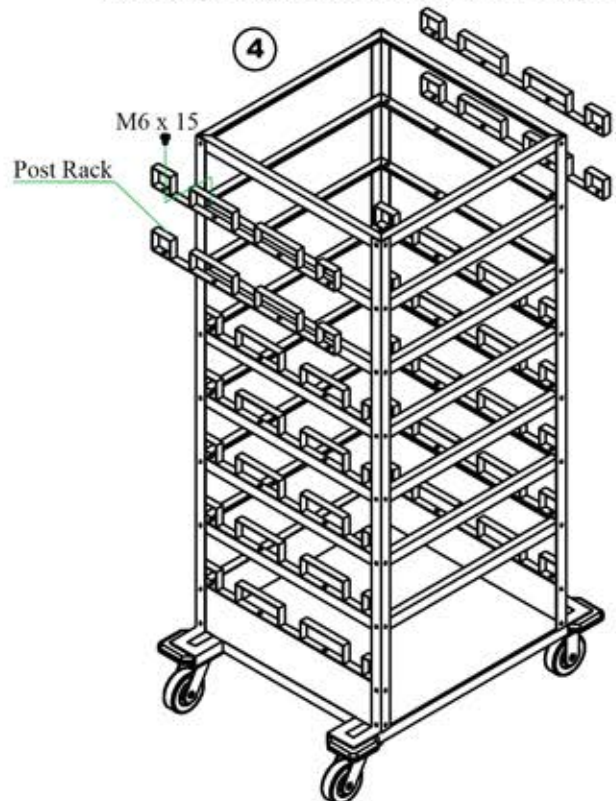


1. Set the storage tray on its wheels
2. Using 4 x M6 bolts attach each upright onto the Storage Tray, make sure the bolts are tight



1. Using 2 x M6 bolts attach the cross bars onto the uprights  
NOTE: Keep these bolts loose

**Check that all bolts are tight before use.**



1. Using 4 x M6 bolts attach each Post Rack to the Cross Bars  
NOTE: Keep these bolts loose
2. Once all Post Racks are attached tighten the Cross Bar bolts
3. Now tighten the Post Rack bolts